

All Dimensions Are In Inches

TITLE:  
**1350 Liter  
 Double Wall Tank**

SIZE	Weight:	REV
<b>A</b>	<b>670 LBS</b>	

SCALE: 1:32

SHEET 1 OF 2

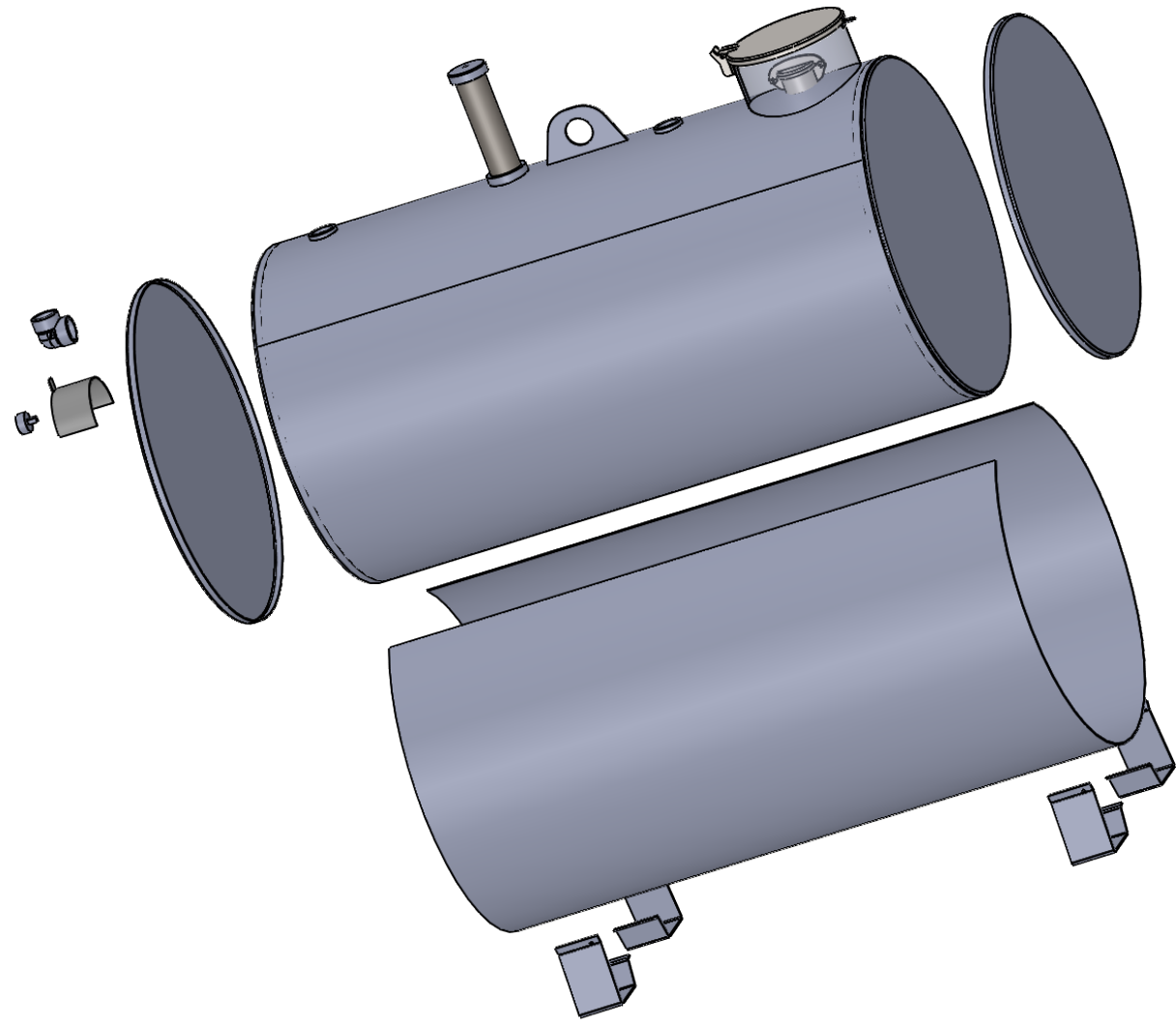


2

1

B

B



A

A



TITLE:		
Exploded Veiw		
SCALE: 1:48	WEIGHT:	SHEET 2 OF 2

2

1